



Electrolux

Operator Manual

Original language

800 Series Coffee Grinders

Models 810-CE, 835-B-CE, 875-B-CE, 890-CE

EN
DA
DE
ES
FI
FR
IT
NL
NO
SV



Model 810



Model 835



Model 875



Model 890

Table of Contents

Safety Information.....	2	Cleaning & Maintenance.....	8
Additional Notices	3	Troubleshooting Guide.....	10
Specifications.....	6	Wiring Diagram.....	11
Installation.....	7		
Operation	7		

Thank you for purchasing this quality coffee grinder. For your safety and the safety of others, read all warnings and the operator's manual before installing or using the product. Properly instruct all operators. Keep training records. For future reference, record serial number here:








Electrolux Professional SPA
Viale Treviso 15
33170 Pordenone
www.electrolux-professional.com
Printed in USA



Electrolux

0519 Form # EL-301-02
Part # 390-00155

Safety Information

-  This is the safety alert symbol. It is used to alert you to potential personal injury hazards. Obey all safety messages that follow this symbol to avoid possible injury or death.
-  This symbol means read the operator manual for important safety information.
-  This symbol means electrical shock hazard. Failure to follow safety instructions may cause electrical harm.
-  This symbol means do not use unit with damaged plug or cable or electrical shock hazard may result.
-  This symbol means moving parts hazard. Failure to follow safety instructions may cause cutting or crushing injury.
-  This symbol means mechanical hazard. To avoid mechanical hazards, only qualified service technicians should open this panel to perform electrical and mechanical adjustments or repairs.
-  This symbol means electrical shock hazard. To avoid electrical hazards, only qualified service technicians should open this panel to perform electrical and mechanical adjustments or repairs.

For your safety and the safety of others, read all warnings and the operator's manual before installing or using the product.

DANGER: This term warns the user of imminent hazard that will result in serious injury or death.

WARNING: This term refers to a potential hazard or unsafe practice, which could result in serious injury or death.

CAUTION: This term refers to a potential hazard or unsafe practice, which could result in minor or moderate injury.

NOTICE: This term refers to information that needs special attention or must be fully understood.

WARNING

Do not deform plug or cord. If the supply cord is damaged, it must be replaced by the manufacturer, its service agent, or similarly qualified persons in order to avoid a hazard.

Unit must be grounded (earthed).

Follow national and local electrical codes.

Always unplug unit from power supply before servicing or cleaning.

Do not clean grinder with a water jet. Do not install grinder in an area where a water jet could be used.

FAILURE TO COMPLY RISKS PERSONAL INJURY, SHOCK HAZARD, FIRE, OR DAMAGE TO EQUIPMENT.

CAUTION

Personal injury hazard. Keep fingers, hands, and foreign objects out of hopper or chute opening.

This appliance is designed for grinding coffee. Any other use is deemed improper.

This appliance is not intended for use by persons (including children) with reduced physical, sensory or mental capabilities, or lack of experience and knowledge, unless they have been given supervision or instruction concerning use of the appliance by a person responsible for their safety.

Children should be supervised to ensure that they do not play with the appliance.

If grinder is intended for professional use only, grinder must be installed in locations where its use and maintenance is restricted to trained personnel. If grinder is intended to be used by untrained persons, grinder must be installed in locations where it can be overseen by trained personnel.

Safety Information (continued)

NOTICE

This grinder is not suitable for outdoor use.

This grinder is suitable for use at any altitude and at ambient temperatures between -3°C and 40°C.

For safe and proper operation, the appliance must be placed in a stable, vertical position.

Airborne noise emissions: Measured A-weighted noise levels of the product are 74 dB(A).

Recycling information:

Electrical and electronic equipment (EEE) contains materials, components and substances that may be hazardous and present a risk to human health and the environment when waste electrical and electronic equipment (WEEE) is not handled correctly.

Equipment marked with the below crossed-out wheeled bin is electrical and electronic equipment. The crossed-out wheeled bin symbol indicates that waste electrical and electronic equipment should not be discarded together with unseparated household waste, but must be collected separately.



For this purpose all local authorities have established collection schemes under which residents can dispose waste electrical and electronic equipment at a recycling centre or other collection points, or WEEE will be collected directly from households. More detailed information is available from the technical administration of the relevant local authority.

Users of electrical and electronic equipment must not discard WEEE together with household waste. Residents must use the municipal collection schemes to reduce adverse environmental impacts in connection with disposal of waste electrical and electronic equipment and to increase opportunities for reuse, recycling and recovery of waste electrical and electronic equipment"

Additional Notices



Foreword

The installation, use, and maintenance manual (hereinafter Manual) provides the user with information necessary for correct and safe use of the machine (hereinafter "machine" or "appliance").

The following must not be considered a long and exacting list of warnings, but rather a set of instructions suitable for improving machine performance in every respect and, above all, preventing injury to persons and animals and damage to property due to improper operating procedures.

All persons involved in machine transport, installation, commissioning, use and maintenance, repair and disassembly must consult and carefully read this manual before carrying out the various operations, in order to avoid wrong and improper actions that could compromise the machine's integrity or endanger people. Make sure to periodically inform the user regarding the safety regulations. It is also important to instruct and update personnel authorized to operate on the machine, regarding its use and maintenance.

Manual

The manual must be available to operators and carefully kept in the place where the machine is used, so that it is always at hand for consultation in case of doubts or whenever required.

The manual must be carefully kept for the entire life of the machine, until scrapping.

The manual must stay with the machine in case of transfer, sale, hire, granting of use or leasing.

This manual is intended for:

- the carrier and handling personnel;
- installation and commissioning personnel;
- the employer of machine users and the workplace manager;
- operators for normal machine use;
- specialized technicians - after-sales service.

If, after reading this manual, there are still doubts regarding machine use, do not hesitate to contact the Manufacturer or the authorized Service Center to receive prompt and precise assistance for better operation and

Additional Notices (cont.)

maximum efficiency of the machine. During all stages of machine use, always respect the current regulations on safety, work hygiene and environmental protection. It is the user's responsibility to make sure the machine is started and operated only in optimum conditions of safety for people, animals and property.

The manufacturer declines any liability for operations carried out on the appliance without respecting the instructions given in this manual.

Copyright

No part of this manual may be reproduced. This manual is intended solely for consultation by the operator and can only be given to third parties with the permission of manufacturer.

Rating / data plate

When installing the appliance, make sure the electrical connection is carried out in compliance with that specified on the data plate (rating plate) on back of machine. Do not remove, tamper with, or make the machine's marking illegible. Refer to the data given on the machine's marking for relations with the Manufacturer (e.g. when ordering spare parts, etc.). When scrapping the machine, the marking must be destroyed.

Responsibility / Liability

The Manufacturer declines any liability for damage and malfunctioning caused by:

- non-compliance with the instructions contained in this manual;
- repairs not carried out in a workmanlike fashion, and replacements with parts different from those specified in the spare parts catalogue (the fitting and use of non-original spare parts and accessories can negatively affect machine operation and invalidates the warranty);
- operations by non-specialized technicians;
- unauthorized modifications or operations;
- inadequate maintenance;
- improper machine use;
- unforeseeable extraordinary events;
- use of the machine by uninformed and untrained personnel;
- non-application of the current provisions in the country of use, concerning safety, hygiene and health in the workplace.

The Manufacturer declines any liability for damage caused by arbitrary modifications and conversions carried out by the user or the Customer.

The employer, workplace manager or service technician are responsible for identifying and choosing adequate and suitable personal protection equipment to be worn by operators, in compliance with regulations in force in the country of use.

Manufacturer declines any liability for inaccuracies contained in the manual, if due to printing or translation errors.

Any supplements to the installation, use and maintenance manual the Customer receives from the Manufacturer will form an integral part of the manual and therefore must be kept together with it.

Reasonably foreseeable improper use

Improper use is any use different from that specified in this manual. During machine operation, other types of work or activities deemed improper and that in general can involve risks for the safety of operators and damage to the appliance are not allowed.

Reasonably foreseeable improper use includes:

- lack of machine maintenance, cleaning and periodical checks;
- structural changes;
- tampering with the guards or safety devices;
- wrong machine installation;
- placing in the machine any objects other than coffee beans;
- non-compliance with the requirements for correct machine use;
- other actions that give rise to risks not eliminable by the Manufacturer.

ATTENTION The previously described actions are prohibited!

Residual risks

The machine has several risks that were not completely eliminated from a design standpoint or with the installation of adequate protection devices. Nevertheless, through this manual the Manufacturer has taken steps to inform operators of such risks. For the Customer's complete information, the residual risks remaining on the machine are indicated below: such actions are deemed improper and therefore strictly forbidden.

Residual risk	Description of hazardous situation
Electrocution	Contact with live parts during maintenance operations carried out

Additional Notices (cont.)

Operator requirements

Characteristics of personnel trained for normal machine use.

The Customer must make sure the personnel for normal machine use are adequately trained and skilled in their duties, as well as ensuring their own safety and that of other persons. The Customer must make sure his personnel have understood the instructions received and in particular those regarding work hygiene and safety in use of the machine.

Characteristics of personnel enabled to operate on the machine

The Customer is responsible for ensuring that persons assigned to the various duties:

- read and understand the manual;
- receive adequate training and instruction for their duties in order to perform them safely;
- receive specific training for correct machine use.

Operator qualified for normal machine use

He must have at least:

- knowledge of the technology and specific experience in operating the machine;
- adequate general basic education and technical knowledge for reading and understanding the contents of the manual;
- including correct interpretation of the drawings, signs and pictograms;
- sufficient technical knowledge for safely performing his duties as specified in the manual;
- knowledge of the regulations on work hygiene and safety.

In case of a significant anomaly (e.g. short circuits, wires coming out of the terminal block, motor breakdowns, worn electrical cable sheathing, etc.) the operator for normal machine use must:

- immediately unplug unit.

⚠ WARNING: ELECTRIC SHOCK HAZARD! Machine maintenance, checking and overhaul operations must only be carried out by a specialised technician or the After-Sales Service, provided with suitable tools and ancillary means.

Put the machine in safe conditions before starting any maintenance operation.

Respect the requirements for the various routine and extraordinary maintenance operations. Non-compliance with the instructions can create risks for personnel.

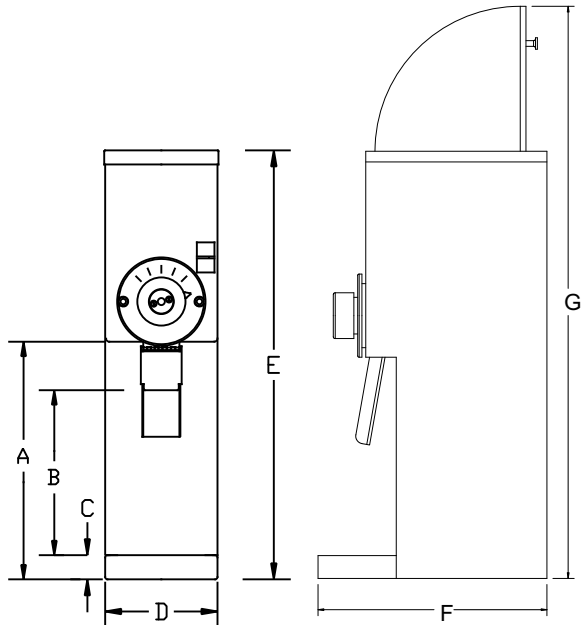
After carrying out maintenance make sure the machine is able to work safely and, in particular, that the protection and safety devices are efficient.

Scrapping

When scrapping the machine, the "CE" marking, this manual and other documents concerning the appliance must be destroyed.

Specifications

Model	Description	Electrical
810	Medium duty grinder - 1.5 lbs (0.7 kg) hopper.	230V / 1.8kW / 1 Ph
835	Medium duty grinder - 1.5 lbs (0.7 kg) hopper.	230V / 1.8kW / 1 Ph
875	Medium duty grinder - 3 lbs (1.4 kg) hopper.	230V / 1.8kW / 1 Ph
890	Medium duty grinder with European slicing burrs - 3 lbs (1.4 kg) hopper.	230V / 1.8kW / 1 Ph



Dimensions (cm)							
Model	A	B	C	D	E	F	G
810	29	20	-	18	56	36	80
835	25	21	4	18	56	38	80
875	38	21	4	18	71	38	95
890	38	26	4	18	71	38	95

Installation

NOTICE: It is essential that full voltage and amperage always be available as it takes full power to grind coffee.

Please read this manual before operating the grinder.

1. Carefully remove grinder from carton.
2. Place grinder in position on shelf, counter or other flat surface. For safe operation the appliance must be placed on a stable horizontal surface in a vertical position.
3. Plug grinder into the specified power source. (Check rating plate on back of unit for voltage and amperage requirements.) Do not use an extension cord.
4. Fill hopper with whole bean coffee.
5. Grind a small amount of whole bean coffee following operating instructions as described in this manual
6. If there is any problem, consult the Troubleshooting Guide in this manual.

Operation

Your new coffee grinder is easy to operate and maintain. Before you place it in service, please have all personnel familiarize themselves with these instructions. Keep this manual in a convenient place for ready reference.

How to Operate

1. Turn the selector knob to the desired grind setting.
2. Fill the hopper with the desired type and amount of whole bean coffee. Close the lid.
3. Place the bag underneath the spout.
4. Press the start button. *810 model - Press the grinder switch to the ON position.
5. The grinder will automatically stop when the bag is removed.**
* 810 model - Once coffee is ground, press the grinder switch to the off position or grinder will continuously run.
** On models 835 and 875 the stop button may be pressed after the grinder has completed grinding.
6. Remove bag from coffee spout once coffee is ground.

Grinds

Before shipment, this grinder has been tested with coffee and has been accurately adjusted to deliver ground coffee to normal auto drip specifications.

The Grinding Burrs are made of an extremely hard and wear resistant material. From time to time, grind

adjustments (see following instructions) may be necessary. If the grind runs coarser than expected after normal adjustment and the grind time has increased, the burrs may have excess wear and should be replaced. New burrs should always be installed as a pair, never one or the other, as they are accurately ground and lapped in pairs. Old burrs cannot be resharpened.

Grind Adjustment

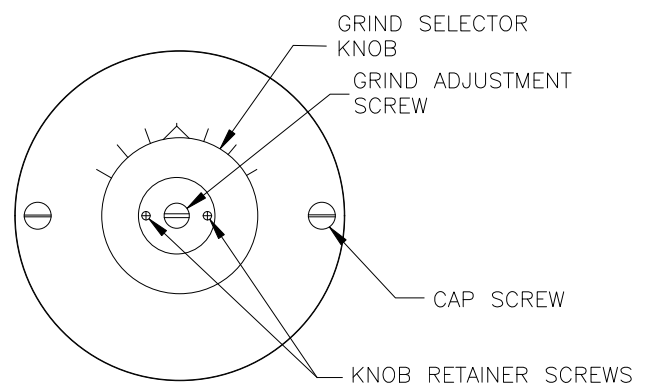
⚠ WARNING: ELECTRIC SHOCK HAZARD!
Unplug grinder to prevent electrical shock.

Tools required: Phillips screwdriver

Large blade screwdriver

Pliers

1. Remove all coffee from the hopper.
2. Set selector knob to the finest setting (Espresso or Turkish) depending on the model.
3. Loosen both knob retainer screws in selector knob one turn only.
4. While pressing the bag switch, located behind the spout, press the start button so that the grinder will run during adjustment.
*810 model - Press the on or start button so that the grinder will run during adjustment.
5. With the grinder still running, turn the adjusting screw in the center of the selector knob slowly to the right until a slight chirping noise is heard. Immediately turn the adjusting screw to the left until chirping noise stops. This is the finest grind obtainable.
6. Tighten both of the knob retainer screws. Once the finest grind has been set, the other grind settings will automatically set correctly.



7. Press the stop or off button.

Operation (continued)

NOTICE: Always be sure the grinding burrs are not touching while the machine is running on the ESPRESSO/TURKISH setting. Otherwise serious damage to the motor may result.

Cleaning & Maintenance

Protection

This grinder is equipped with both a circuit breaker and a shear disc or shear pin to protect motor and burrs.

Circuit Breaker

This grinder is equipped with a circuit breaker to protect the motor from overloading. When the circuit breaker trips, the reset button will pop out approximately 1/4" (1 cm) which stops the power to the grinder. The reset button is located on the front panel of the Model 810, 835 and 875. To reset the circuit breaker, wait two minutes then push in the reset button. You will hear a click as it resets. If the grinder does not operate after resetting the circuit breaker, there may be an obstruction in the grinding mechanism that is stalling the motor. Turn the grind selector knob all the way to the left. Try restarting the grinder. If the circuit breaker "trips" again, the obstruction was not able to pass. In this case, the Grinder Head should be cleaned out as described in the **Shear Disc Replacement** section of this manual.

Cleaning Instructions

NOTICE: The person cleaning the parts should do so with clean hands.

The outside of the machine can be cleaned with warm soapy water and a damp cloth.

Grinding parts should be cleaned with a stiff brush or dry cloth. **DO NOT USE WATER.** See **Shear Disc Replacement** for instructions on assembling and disassembling grinder parts. Before reassembling, wipe motor shaft with dry cloth.

All other parts that are in contact with food must be washed with warm soapy water, rinsed, and air-dried.

Lubrication

None required.

Shear Disc Replacement

If the motor should run and no coffee is dispensed, the Shear Disc or Shear Pin may have sheared. Should this occur, perform the following operations in the sequence given (refer to following drawings).

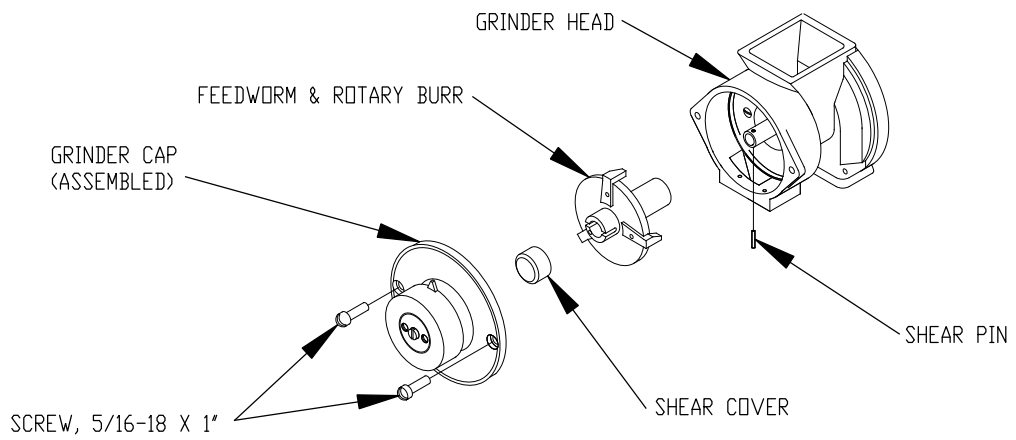
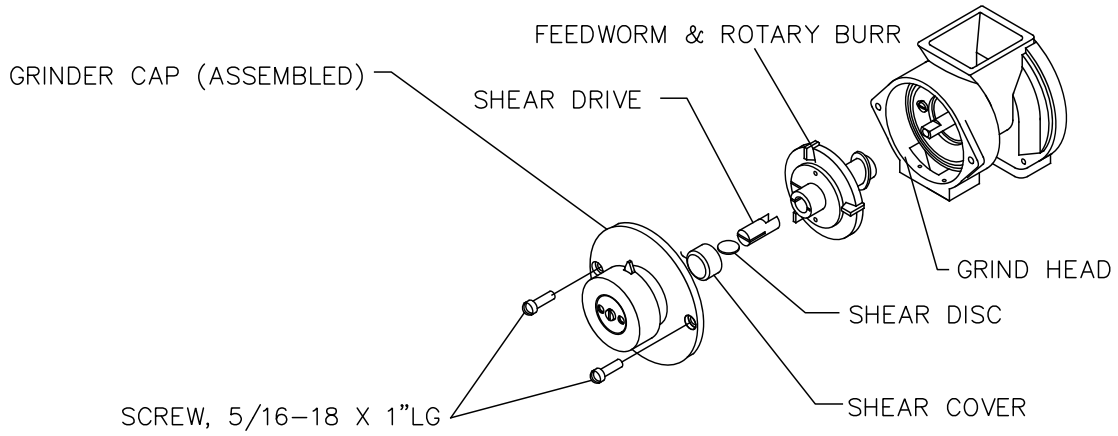
Tools Required: Slotted Screwdriver
 Pliers

1. Remove all of the coffee beans from the hopper.

2. Remove the Grinder Cap by taking out the 2 Cap Screws.
3. (Model 890) Turn Feedworm Assembly such that the slot in the assembly is vertical then push inward to release the Shear Pin.
4. Pull out the Rotary Burr and Feedworm Assembly. Clean out the Grinder Head, removing all coffee particles from inside of the Grinder Head and the Grinder Cap so that it can be reset properly.
5. Check that no obstruction has been caught on the surface of the teeth of either burr. Remove the Shear Cover and broken pieces of the Shear Disc or Shear Pin. You are now ready to reassemble the grinder mechanism.
6. Slide the Rotary Burr and Feedworm Assembly onto the Drive Shaft.
(Model 810, 835, 875) Insert the shear drive so that the Motor Shaft tongue engages into the shear drive notch.
7. (Model 810, 835, 875) Insert a new Shear Disc by aligning the slot in the Shear Drive with the slot in the hub of the Feedworm.
(Model 890) Align slot in Feedworm Assembly with the hole in the motor shaft. Install new Shear Pin.
8. Reassemble the Shear Cover and Grinder Cap. Make certain the Grinder Cap is screwed on tight and is sealed properly against the head and not tilted or misaligned. Otherwise, a proper grind cannot be obtained.
9. Your grinder is now ready to grind.

(See drawings next page)

Cleaning & Maintenance (continued)



Troubleshooting Guide

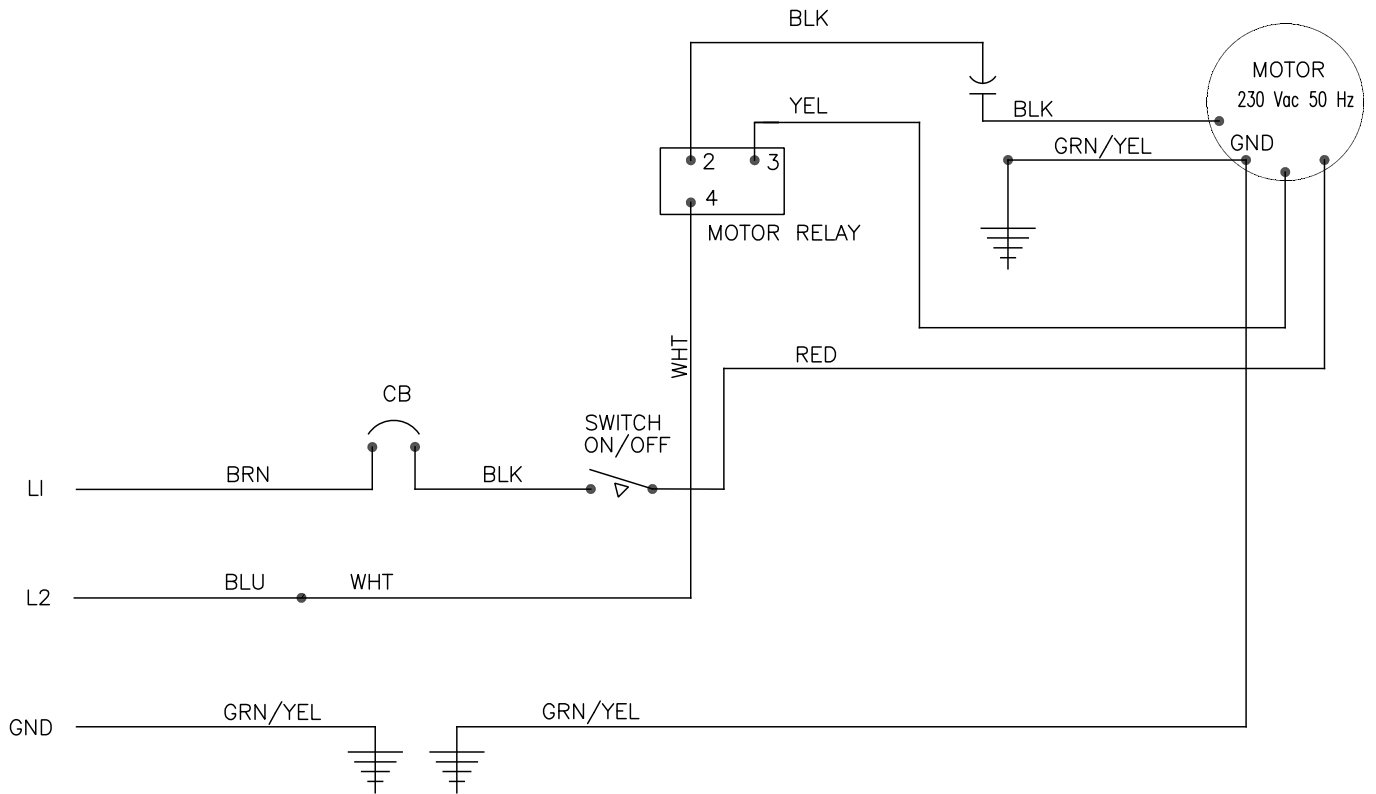
Before you call for help, please read the following:

⚠ WARNING: ELECTRIC SHOCK HAZARD! Unplug power cord from outlet before cleaning or servicing your grinder.

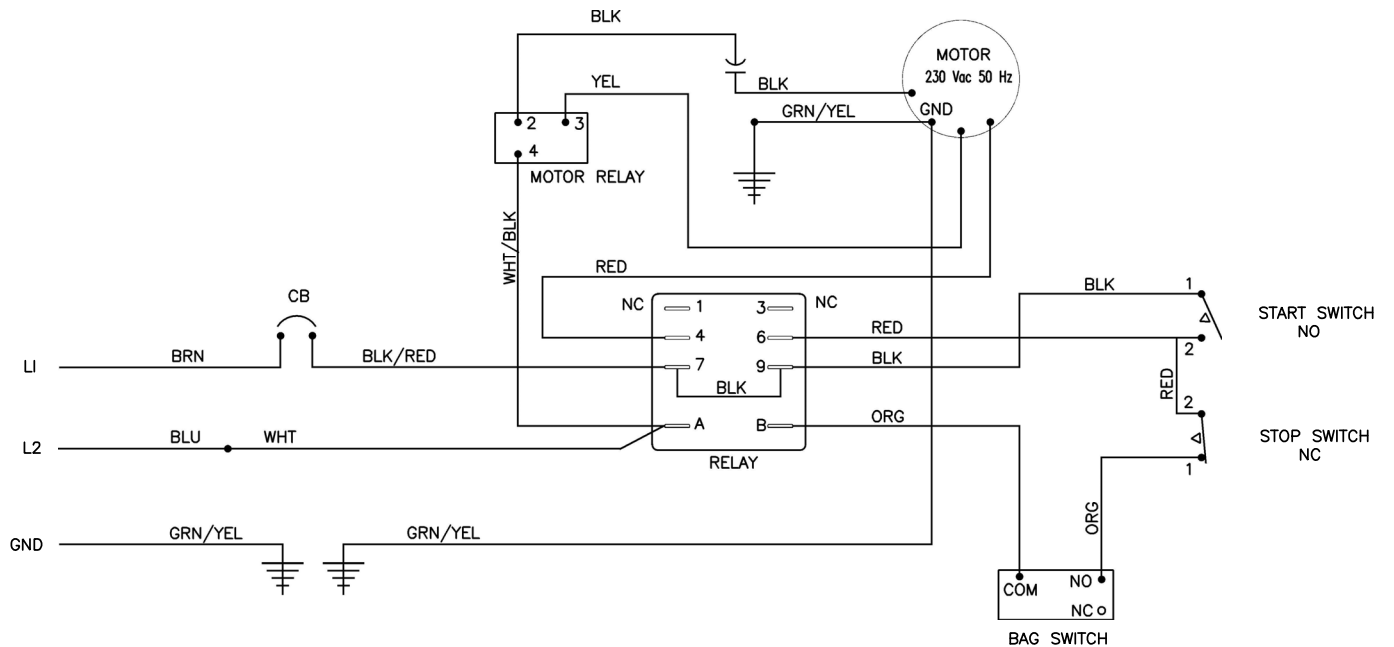
Problem	Possible Cause	Solution
Grinder will not start when START button is pushed	<ul style="list-style-type: none"> Bag not under spout. Plug not in outlet properly. No power to outlet. 	<ul style="list-style-type: none"> Place bag underneath spout. Install plug in outlet. Check outlet with lamp or radio to verify outlet has power.
Grinder runs or hums but no coffee is dispensed	<ul style="list-style-type: none"> Circuit breaker has tripped. Shear disc is broken. Obstruction in opening to grinding chamber. 	<ul style="list-style-type: none"> Reset circuit breaker by pushing in reset button until you hear a click. Replace shear disc. See Shear Disc Replacement or instructions on back of grinder. Unplug unit. Empty beans out of hopper and clear obstructions. See Shear Disc Replacement for disassembly and assembly instructions.
Excessive amount of coffee chaff flying about	<ul style="list-style-type: none"> Defective chaff mixer spring. Outlet not properly grounded. Static electricity. 	<ul style="list-style-type: none"> If bent, broken, or missing, replace spring. If stuck open with coffee, clean out coffee to free spring. Check power cord end and outlet for proper ground. Tighten all nuts, bolts, and screws and verify outlet is grounded.
Circuit breaker continuously trips	<ul style="list-style-type: none"> Insufficient amperage due to use of extension cord. Insufficient amperage due to overloaded line. Grind setting needs adjustment. 	<ul style="list-style-type: none"> Plug unit directly into outlet. Do not use extension cord. Designate single line for grinder. Do not use multi-outlet box. Adjust grind to coarser setting (see Grind Adjustment).

Wiring Diagram

810-CE 230V, 50Hz Wiring Diagrams



835-CE, 875-CE, 890-CE 230V, 50Hz Wiring Diagrams



Electrolux Professional SPA

Viale Treviso 15

33170 Pordenone

www.electrolux-professional.com

Printed in USA



Electrolux

0519 Form # EL-301-02

Part # 390-00155